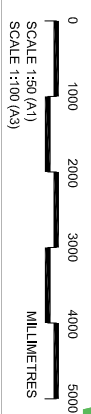
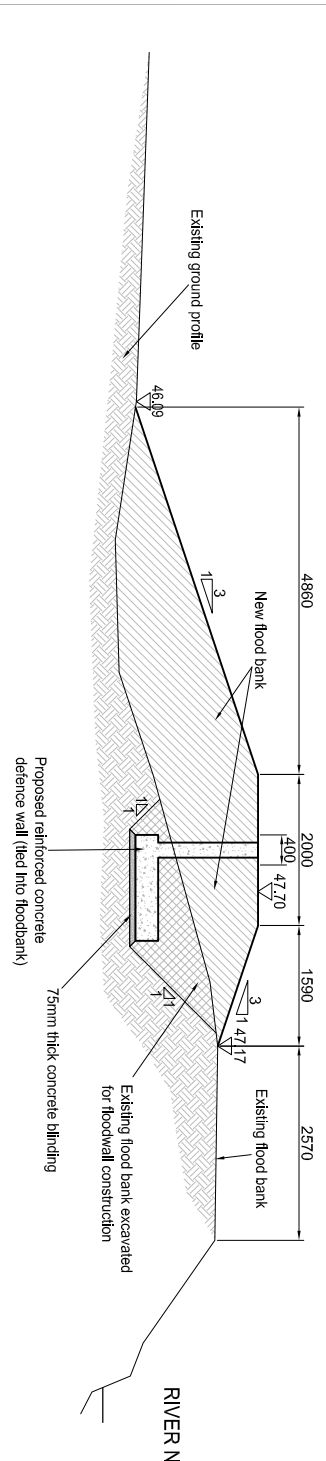
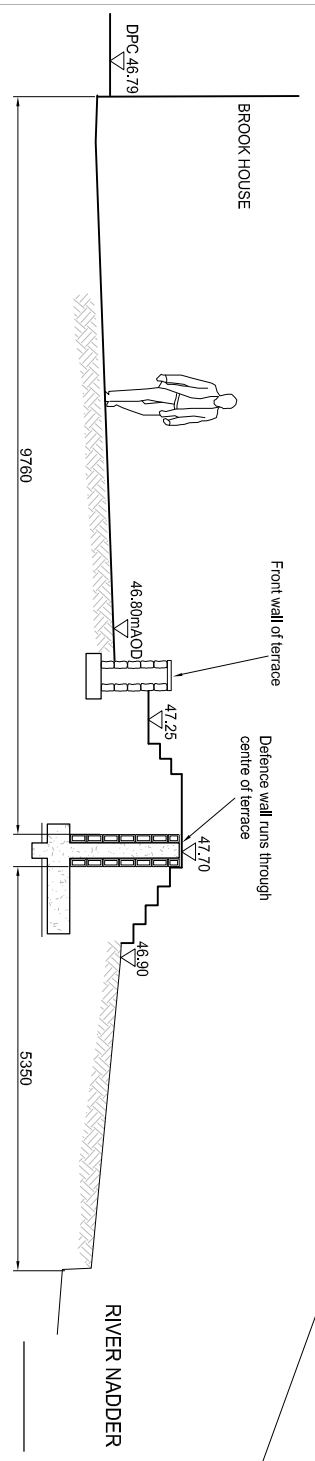
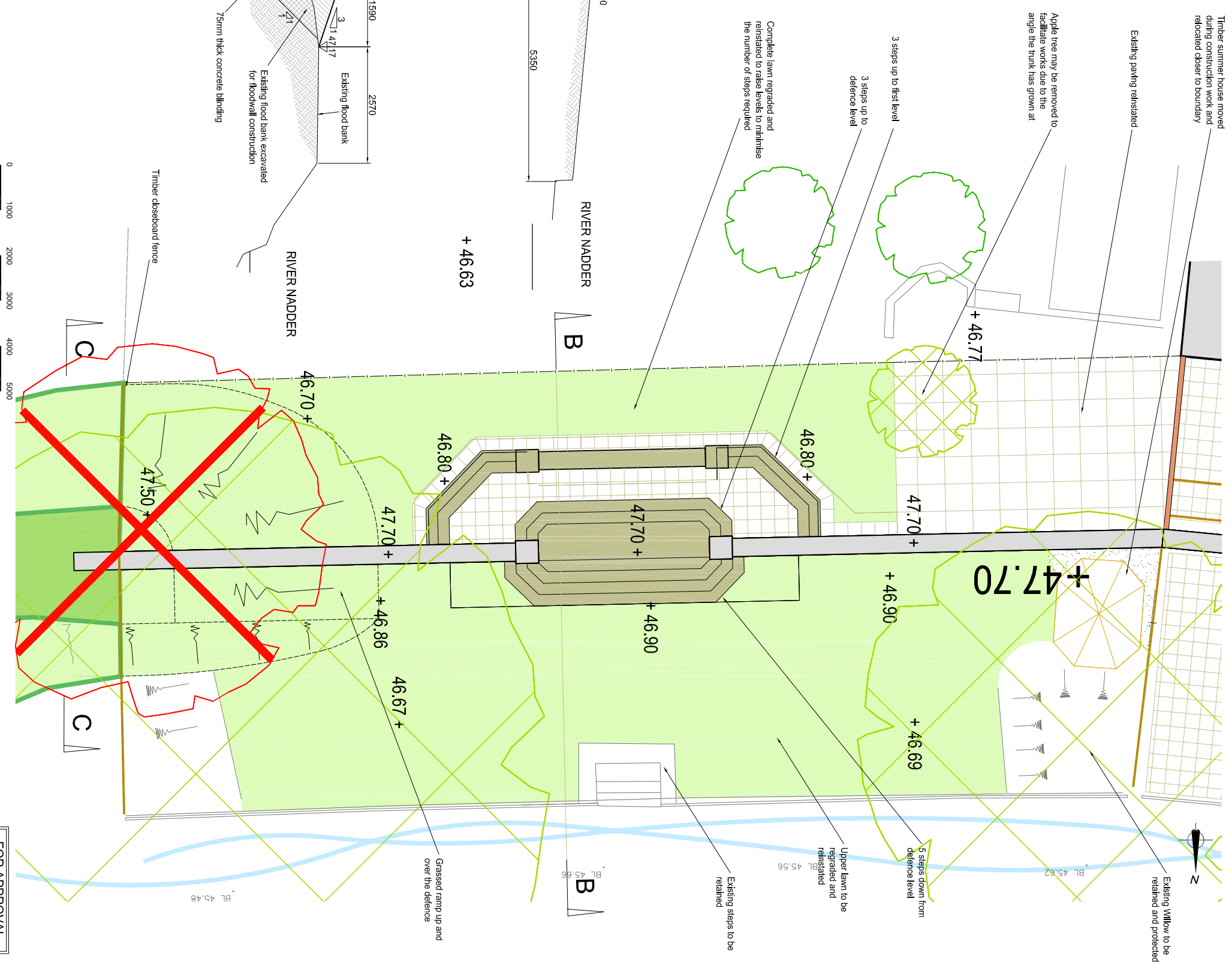


**Notes:**  
 1. All dimensions shown are in mm unless otherwise stated.  
 2. All levels shown are in mAOD.

**Key:**

	River
	Defence Wall
	Grass
	Existing vegetation to remain
	Tree to be removed
	Tree to be retained
	Tree to be retained but reduce weight of canopy / pollard
	Proposed planting (Soft, low growing, non woody, Perennials)
	Paving
	Timber fence
	Temporary timber panel fence 1.8m high



**FOR APPROVAL**

Rev	By	Chkd	Approved	Date	Description
A	AMW	MC	PC	23/02/2024	Revised for sign and approval

Client: **Environment Agency**

Project: **HARRNHAM FLOOD DEFENCE SCHEME**

Drawing: **BROOK HOUSE**

Drawn By: AMW Date: 07/08/06  
 Checked By: NJC Date: 11/08/06  
 Approved By: RPD Date: 11/08/06  
 Drawing No: **WNW/HAM/331** Revision: **A**

Drawing Scale: As Shown