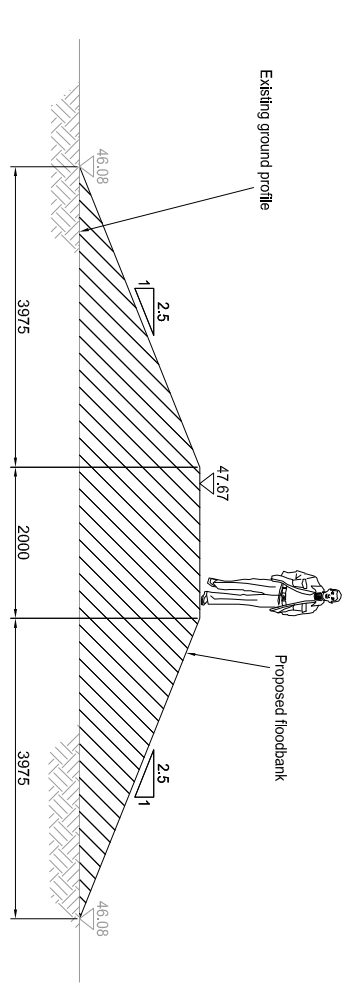
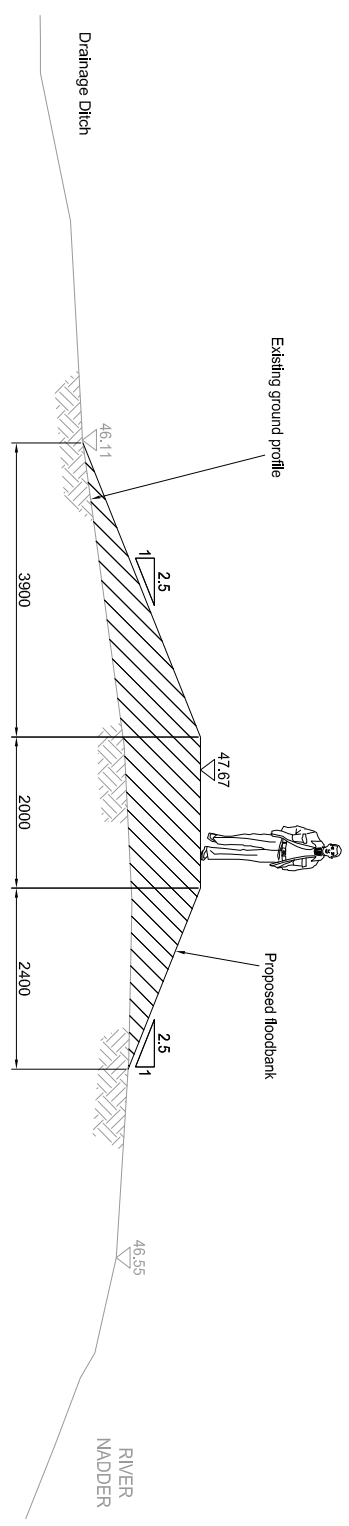


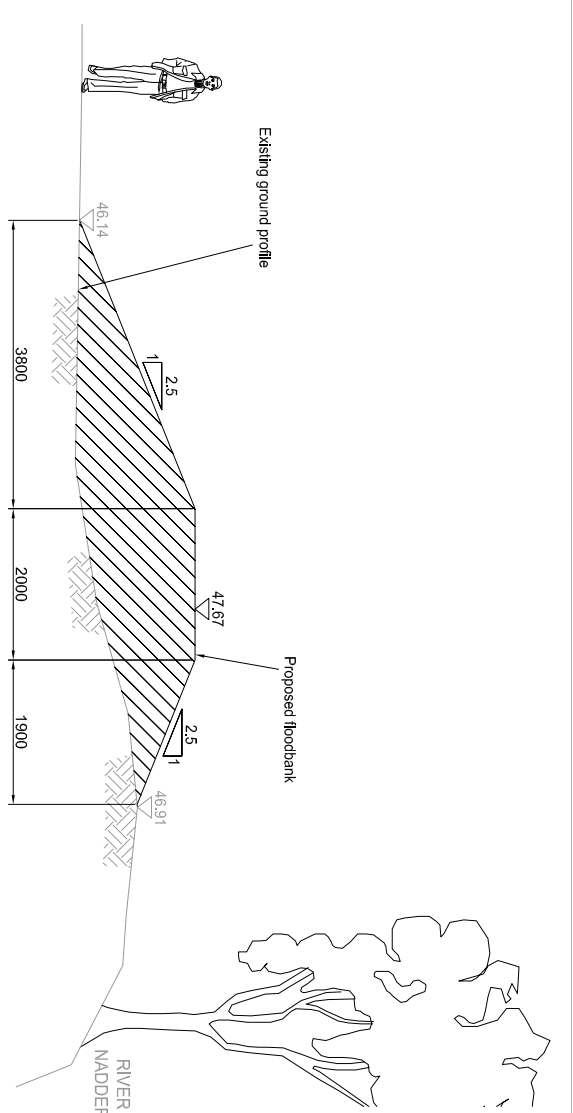
SECTION 34-A



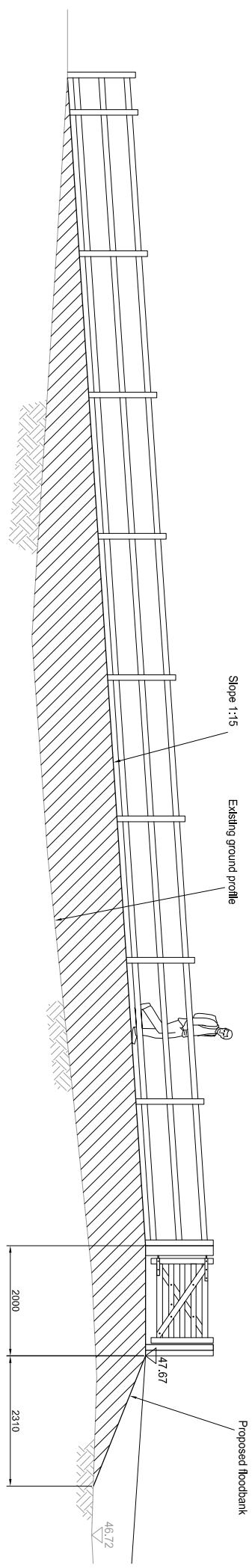
SECTION 34-C



SECTION 34-D



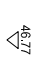


SECTION 34-B



SECTION 34-E

**Key:**

-  Floodbank fill
-  Existing ground levels
-  Proposed ground levels

**Notes:**

1. All dimensions shown are in mm unless otherwise stated.
2. All levels shown are in mAOD.
3. Banks to be constructed to 50mm above flood level to allow for settlement.

Rev	By	Chkd	Approved	Date	Description
A	ARW	PC	3/20/20		Revisions to floodbank profiles



**Malcros**  
 HARRNHAM  
 FLOOD DEFENCE SCHEME

**MIDDLE STREET  
 MEADOW FLOODBANK**

**SECTIONS**

Drawn By	Checked By	Approved By	Revision
ARW	NJC	RPC	A

Drawing Scale: 1:50 (A1), 1:100 (A3)

**FOR APPROVAL**

0 1000 2000 3000 4000 5000  
 SCALE 1:50 (A1)  
 SCALE 1:100 (A3)  
 MILLIMETRES