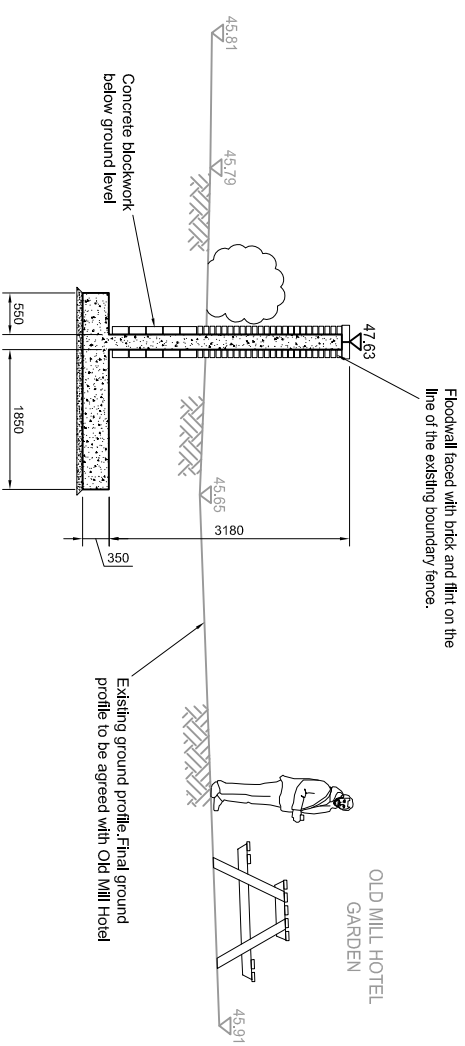


Key:

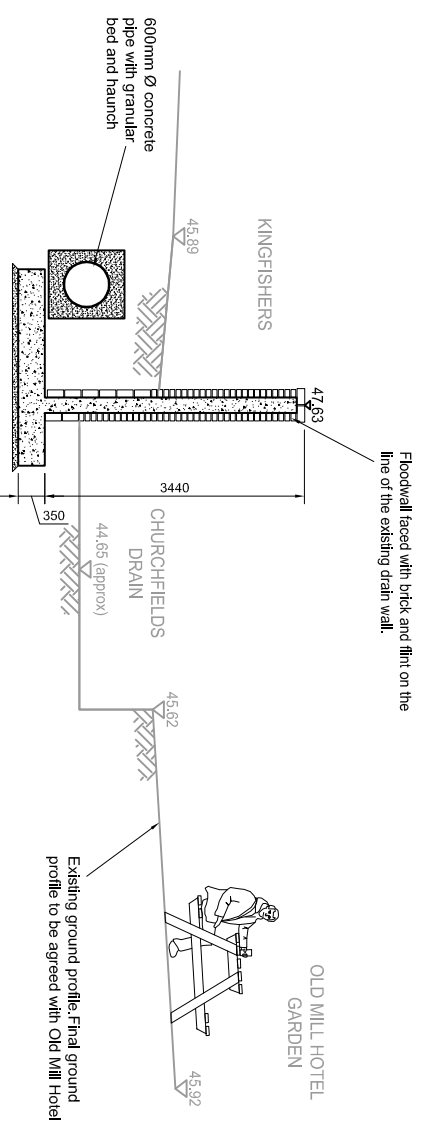
- 45.77 Existing ground levels
- 46.77 Proposed ground levels

Notes:

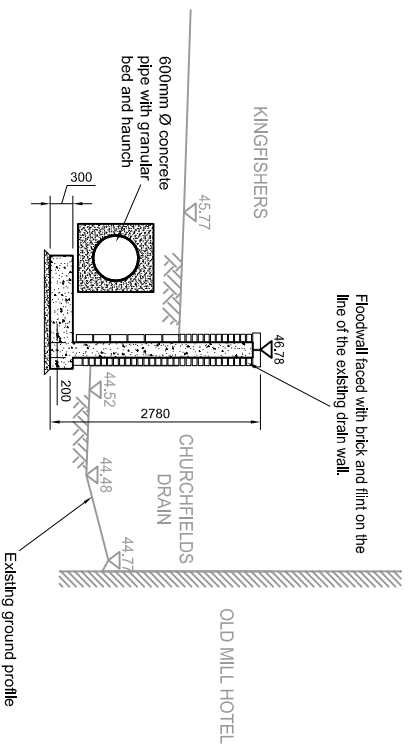
1. All dimensions shown are in mm unless otherwise stated.
2. All levels shown are in mAOD.
3. This drawing is to be read in conjunction with drawing number WNI/HAM/360.



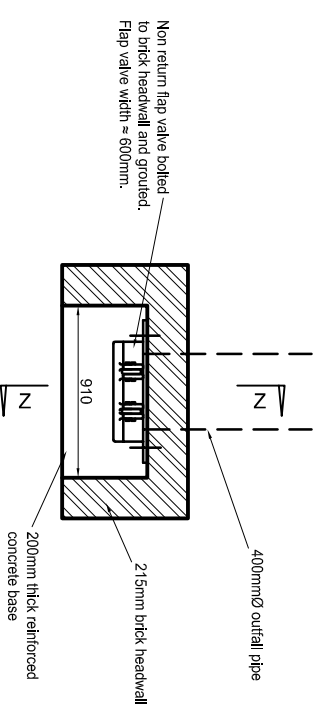
SECTION 36-A



SECTION 36-B

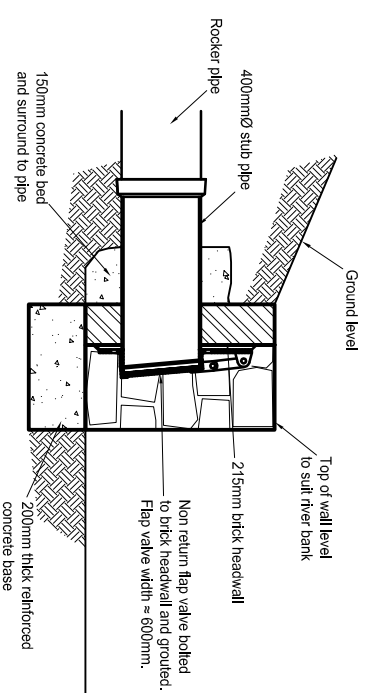


SECTION 36-C



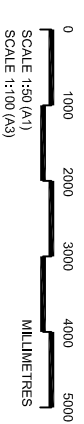
PLAN OF PUMPING STATION OUTLET TO RIVER HEADWALL

SCALE 1:20 AT A1, 1:40 AT A3



SECTION Z-Z THROUGH HEADWALL

SCALE 1:20 AT A1, 1:40 AT A3



FOR APPROVAL

| Rev | By | Chkd | Approved | Date | Description |
|-----|----|------|----------|------|-------------|
| A | | | | | |



Halcrow Group Limited
 4th Floor, Falcon House, Station, Exeter, EX2 7LJ
 Tel: +44 (0) 1392 44222 Fax: +44 (0) 1392 44201
 www.halcrow.com



Project: HARRNHAM FLOOD DEFENCE SCHEME

Drawing: TOWN PATH OLD MILL HOTEL & KINGFISHERS CROSS SECTIONS (1 OF 2)

| | |
|-------------------------|----------------|
| Drawn By: ARW | Date: 11/08/06 |
| Checked By: NLC | Date: 11/08/06 |
| Approved By: RPD | Date: 11/08/06 |
| Drawing No: WNI/HAM/361 | Revision: A |

Drawing Scale: SCALE 1:50 AT A1, 1:100 AT A3